



晶采光電科技股份有限公司  
AMPIRE CO., LTD.

# Specifications for LCD module

Customer	
Customer part no.	
Ampire part no.	AM-1280800WNTZQW-T10H
Approved by	
Date	

- Preliminary Specification  
 Formal Specification

**AMPIRE CO., LTD.**

**4F., No.116, Sec. 1, Xintai 5th Rd., Xizhi Dist., New Taipei City 221, Taiwan (R.O.C.)**

**新北市汐止區新台五路一段 116 號 4 樓(東方科學園區 A 棟)**

**TEL:886-2-26967269 , FAX:886-2-26967196 or 26967270**

Approved by	Checked by	Organized by
<i>Patrick</i>	<i>Kokai</i>	<i>Mark</i>

This Specification is subject to change without notice.

## RECORD OF REVISION

Revision Date	Page	Contents	Editor
2021/06/02		New release	Mark

# 1. General Descriptions

## 1.1 Introduction

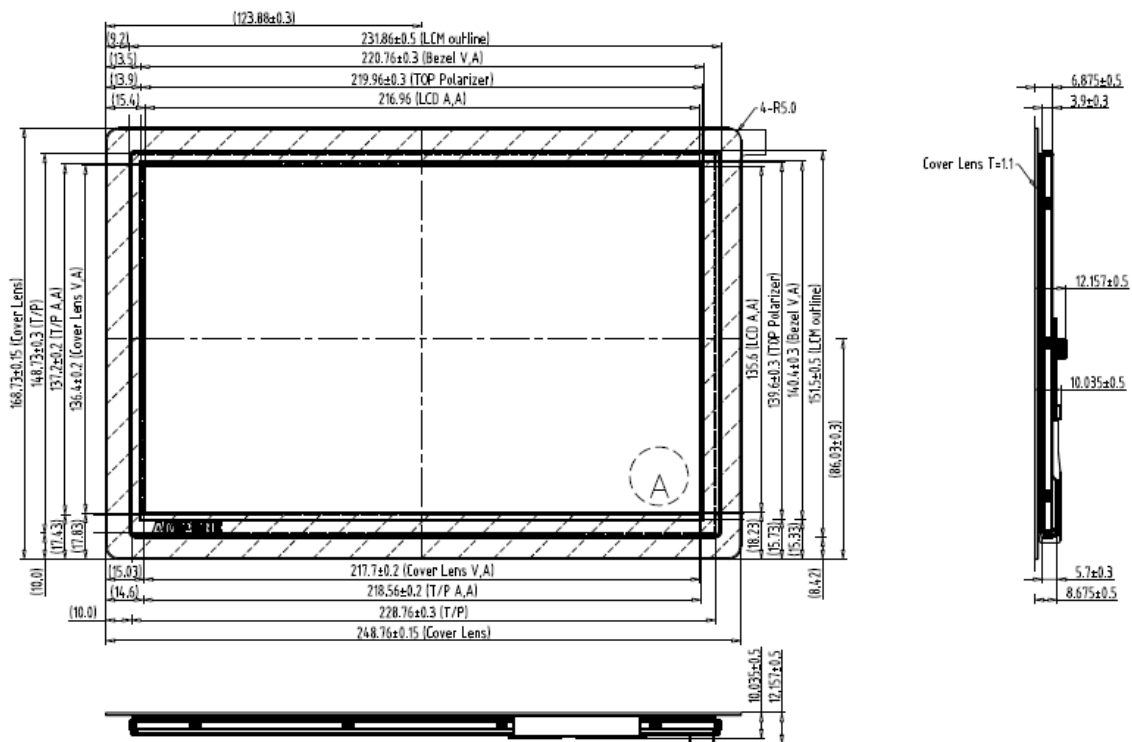
The LCM is a color active matrix thin film transistor (TFT) liquid crystal display (LCD) that uses amorphous silicon TFT as a switching device. It is composed of a TFT LCD panel, a backlight system, column driver and row driver circuit. This TFT LCD has a 10.1-inch diagonally measured active display area with WXGA resolution (1280 horizontal by 800 vertical pixels array).

## 1.2 Features

- (1) 10.1" TFT LCD Panel
- (2) LED Backlight System
- (3) Supported WXGA 1280x800 pixels resolution
- (4) Compatible with RoHS Standard
- (5) Touch panel
  - ✧ IC: EETI EXC3146
  - ✧ Interface: Mini-USB
- (6) Cover glass
  - ✧ Thickness: 1.1mm

### 1.3 Product Summary

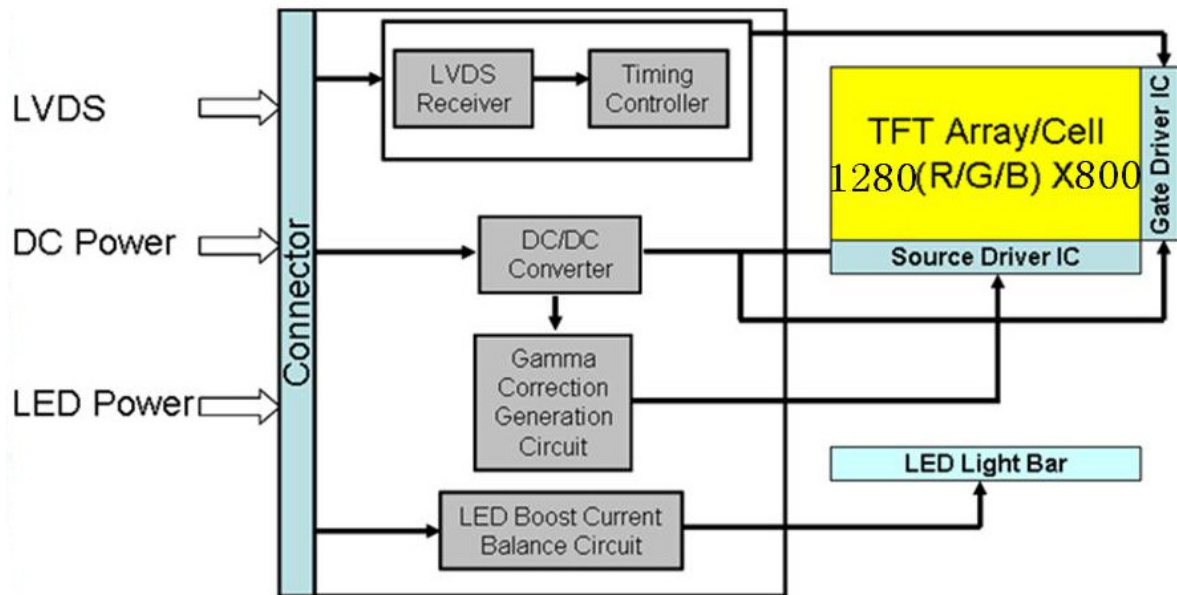
Items	Specifications	Unit
Screen Diagonal	10.1	Inch
Pixel Format	1280(RGB) x800	-
Pixel Pitch	0.1695(H)×0.1695 (V)	mm
Pixel Arrangement	R.G.B. Vertical Stripe	-
Display Mode	Normally Black	-
White Luminance	<b>298 (Typ.)</b>	cd /m2
Contrast Ratio	800 : 1 (Typ.)	-
Response Time	25	msec
Input Voltage	3.3	V
Electrical Interface (Logic)	LVDS	-
Support Color	16.7M	-



### 1.4 Functional Block Diagram

Shows the functional block diagram of the LCD module

Figure 1 Block Diagram



## 2. Absolute Maximum Ratings

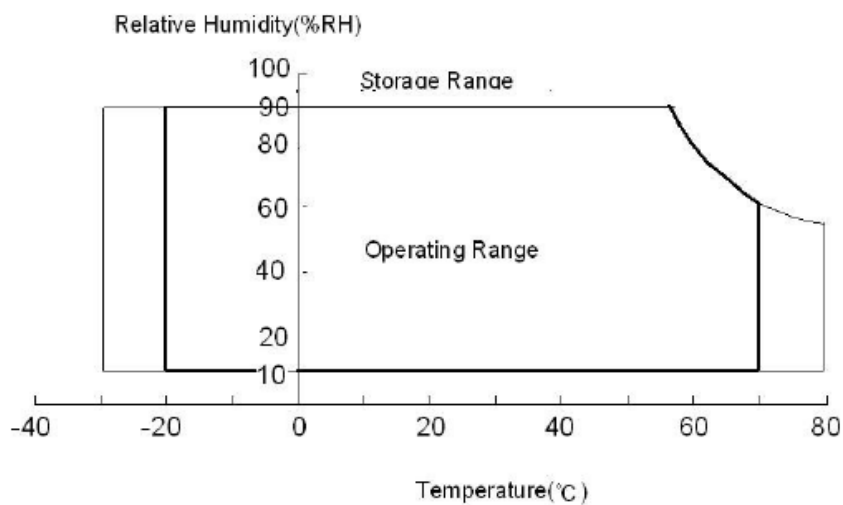
Item	Symbol	Min	Max	Unit	Conditions
Logic Supply Voltage	VDD	-0.3	4.0	V	TA=25°C
Supply VLED Voltage	VLED	-0.3	24	V	TA=25°C

Item	Symbol	Min	Max	Unit	Conditions
Operating Temperature	TOP	-30	70	°C	Note
Operating Humidity	HOP	--	90	%RH	Note
Storage Temperature	TST	-30	80	°C	Note
Storage Humidity	HST	--	90	%RH	Note

Note(1) Maximum Wet-Bulb temperature should be 39 degree C and no condensation.

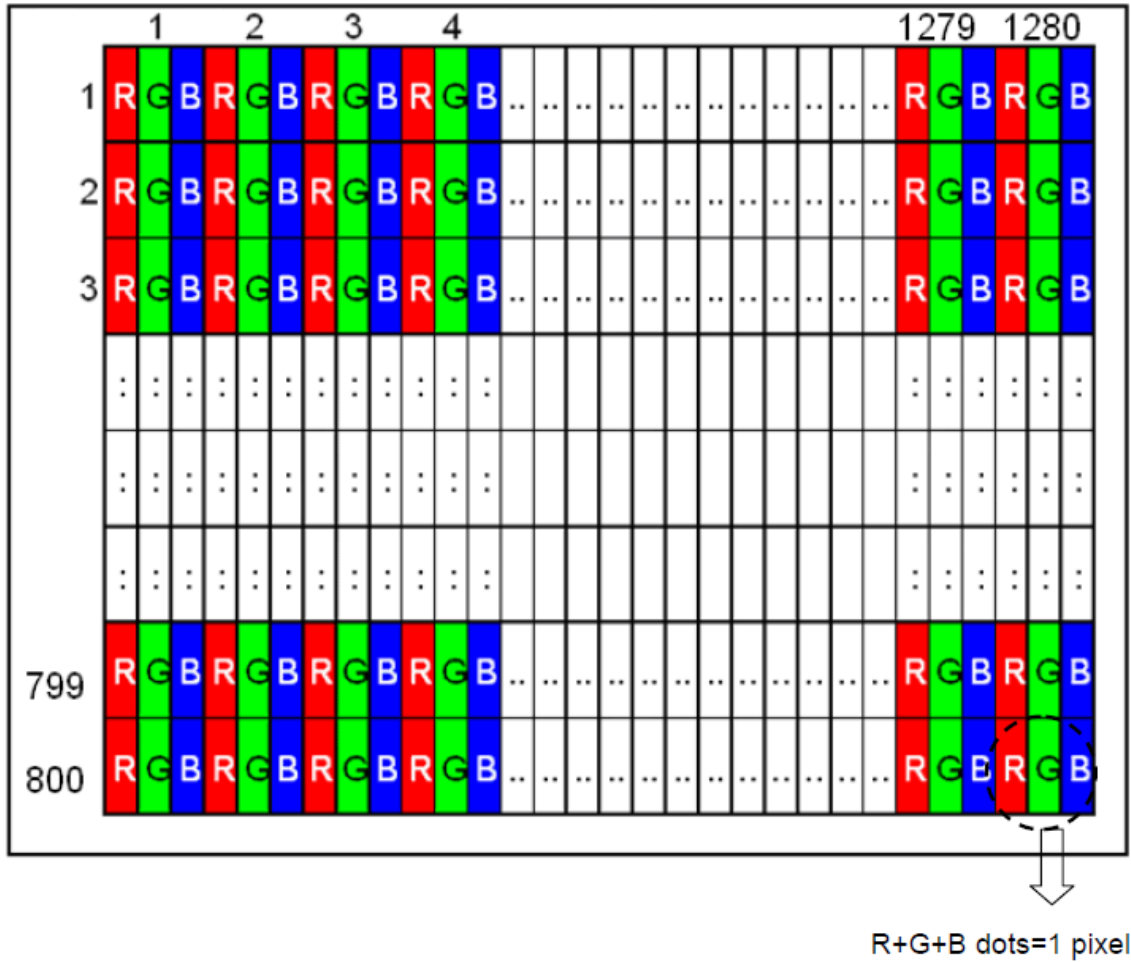
Note(2) When you apply the LCD module for OA system. Please make sure to keep the temperature of LCD module is less than 70°C

Note(3) Storage /Operating temperature



### 3. Pixel Format Image

Shows the relationship of the input signals and LCD pixel format image



#### 4. Optical Characteristics

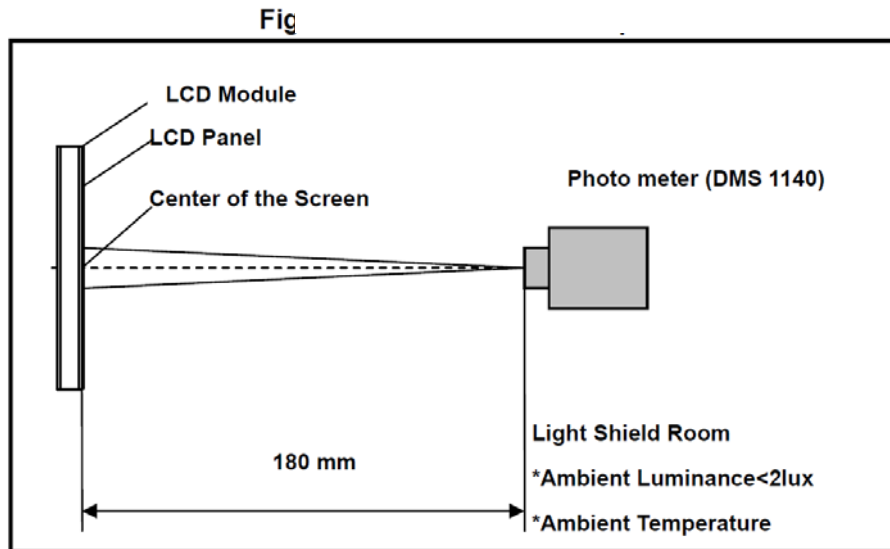
The optical characteristics are measured under stable conditions as following notes

Item	Conditions		Min.	Typ.	Max.	Unit	Note
Viewing Angle (CR>10)	Horizontal	$\theta$ x+	(75)	(85)	-	degree	(1),(2),(3)
		$\theta$ x-	(75)	(85)	-		
	Vertical	$\theta$ y+	(75)	(85)	-		
		$\theta$ y-	(75)	(85)	-		
Contrast Ratio	Center		(600)	(800)	-	-	(1),(2),(4)
Response Time	Rising		-	-	-	ms	(1),(2),(5)
	Falling		-	-	-	ms	
	Rising + Falling		-	25	-	ms	
Color Chromaticity (CIE1931)	NTSC		-	45	-	%	(1),(2)
	Red	x	Typ. -0.05	0.561	Typ. +0.05	-	(1),(2)
	Red	y		0.334		-	
	Green	x		0.341		-	
	Green	y		0.568		-	
	Blue	x		0.161		-	
	Blue	y		0.129		-	
	White	x		0.313		-	
	White	y		0.329		-	
White Luminance	Center			<b>238</b>		<b>298</b>	
Luminance Uniformity	9Points		70	75	-	%	(1),(2),(6)



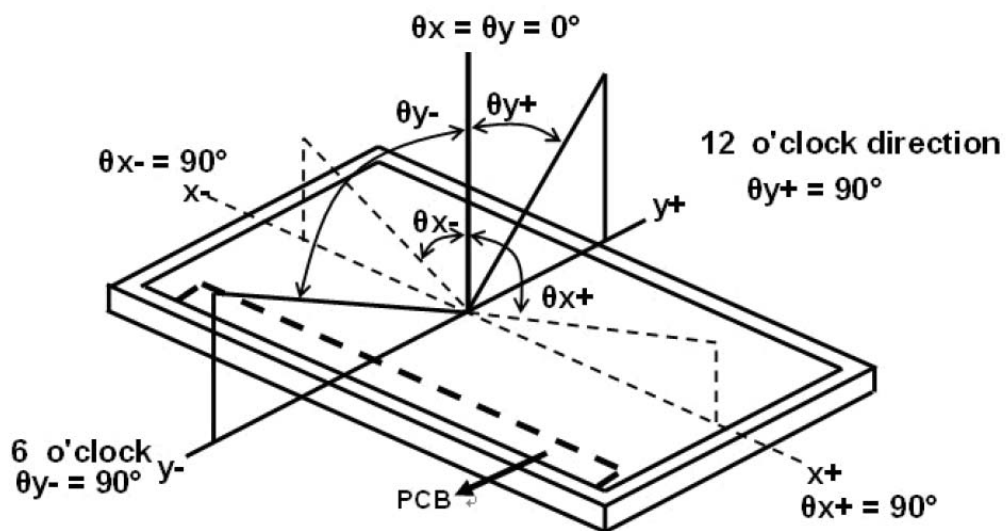
Note(1) Measurement Setup:

The LCD module should be stabilized at given temperature(25°C) for 15 minutes to Avoid abrupt temperature change during measuring. In order to stabilize the luminance, the measurement should be executed after lighting backlight for 15 minutes in a windless room.



Note(2) The LED input parameter setting as: PWM: duty 100 %

Note(3) Definition of viewing angle:



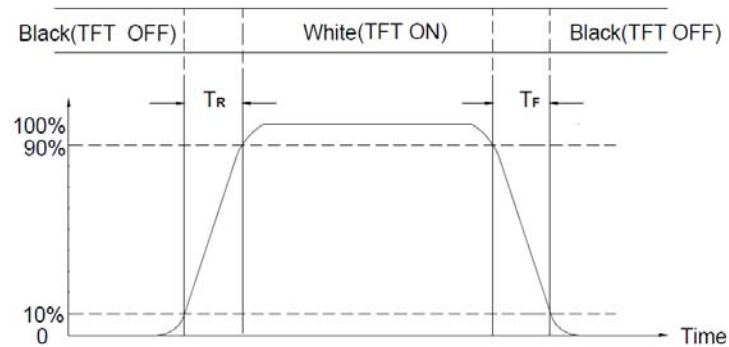
Note(4) Definition of Contrast Ratio (CR)

The contrast ratio can be calculated by the following expression

$$\text{Contrast Ratio (CR)} = L_{255} / L_0$$

$L_{63}$ : Luminance of gray level 255,  $L_0$ : Luminance of gray level 0

Note(5) Definition of Response Time (TR, TF)

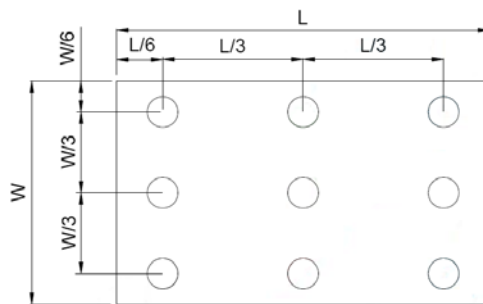


Note(6) Definition of brightness luminance

Active area is divided into 9 measuring areas (Refer to bellow figure).  
 Every measuring point is placed at the center of each measuring area.

$$\text{Luminance Uniformity (Yu)} = \frac{B_{\min}}{B_{\max}}$$

L ----- Active area length      W ----- Active area width



Bmax: The measured maximum luminance of all measurement position.  
 Bmin: The measured minimum luminance of all measurement position.

## 5. Backlight Characteristics

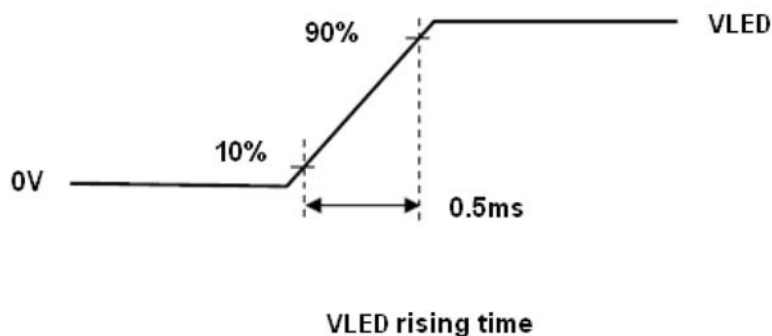
### 5.1 Parameter Guideline Of LED Backlight

Symbol	Parameter		Min.	Typ.	Max.	Units	Condition
VLED	LED Input		(6)	(12)	(21)	[V]	Ta=25°C Note B
PLED	LED Power Consumption		-	-	(2.5)	W	Ta=25°C Note B
VLED_PWM	PWM Signal Voltage	High	3.0	--	3.6	V	Ta=25°C
		Low	0	--	0.4	V	
FPWM	PWM dimming Frequency		100	-	200	Hz	DDIM≥0.1%
			200	-	500		DDIM≥0.25%
			500	-	1000		DDIM≥0.5%
			1000	-	2000		DDIM≥1%
			2000	-	5000		DDIM≥2.5%
			5000	-	10000		DDIM≥5%
			10000	-	20000		DDIM≥10%
			20000	-	30000		DDIM≥15%
VLED_EN	LED Enable Voltage	High	3.0	--	3.6	V	-
		Low	0	--	0.4	V	
LT	LED Life Time		20,000	25,000	-	Hours	Ta=25°C Note A

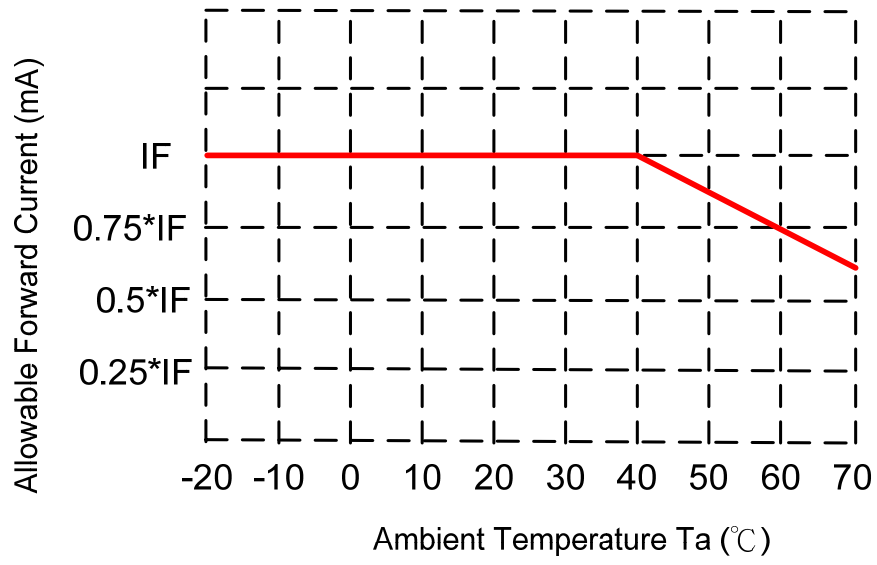
Note A: The LED life time define as the estimated time to 50% degradation of initial luminous.

Note B: A higher LED power supply voltage will result in better power efficiency.  
Keep the VLED between 12V and 12.6V is strongly recommended.

**Figure 7 LED Rush Current Measure Condition**



When LCM is operated over 40°C ambient temperature, the IF should be follow :



## 6. Electrical Characteristics

### 6.1 TFT LCD Module Interface Connector

**Table 4 Connector Name / Designation**

Item	Description
Manufacturer / Part Number	Starconn / 300E40-0010RA-G3
Mating Model Number	TBD or compatible

**Table 5 Signal Pin Assignment**

Pin #	Signals Name	Description	Remarks
1	NC	Not Connect	-
2	VDD	Power Supply, 3.3V (typical)	-
3	VDD	Power Supply, 3.3V (typical)	
4	VDD_EDID	Power Supply for EDID I2C Flash IC	
5	SCL_EDID	I2C Serial Clock for EDID I2C Flash IC	
6	SDA_EDID	I2C Serial Data for EDID I2C Flash IC	
7	NC	Not Connect	
8	LV0N	-LVDS differential data input	
9	LV0P	+LVDS differential data input	
10	GND	Ground	
11	LV1N	-LVDS differential data input	
12	LV1P	+LVDS differential data input	
13	GND	Ground	
14	LV2N	-LVDS differential data input	
15	LV2P	+LVDS differential data input	
16	GND	Ground	
17	LVCLKN	-LVDS differential data input	
18	LVCLKP	+LVDS differential data input	
19	GND	Ground	
20	LV3N	-LVDS differential data input	
21	LV3P	+LVDS differential data input	
22	GND	Ground	
23	LED_GND	Ground for LED Driving	
24	LED_GND	Ground for LED Driving	
25	LED_GND	Ground for LED Driving	

26	NC	Not Connect	
27	LED_PWM	PWM Input signal for LED driver	
28	LED_EN	LED Enable Pin	
29	NC	Not Connect	
30	NC	Not Connect	
31	LED_VCC	Power Supply for LED Driver	
32	LED_VCC	Power Supply for LED Driver	
33	LED_VCC	Power Supply for LED Driver	
34	NC	Not Connect	
35	BIST	BIST pin. (Keep NC or GND if not use.)	
36	NC	Not Connect	
37	NC	Not Connect	
38	NC	Not Connect	
39	NC	Not Connect	
40	NC	Not Connect	

Note: All input signals shall be low or Hi-resistance state when VDD is off.

## 6.2 LVDS Receiver

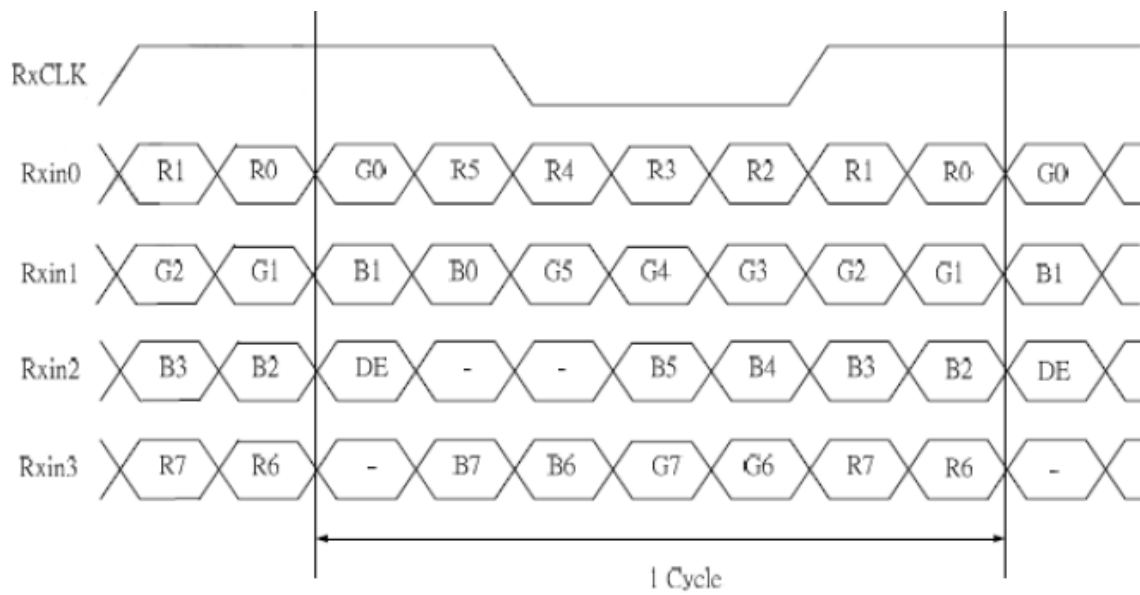
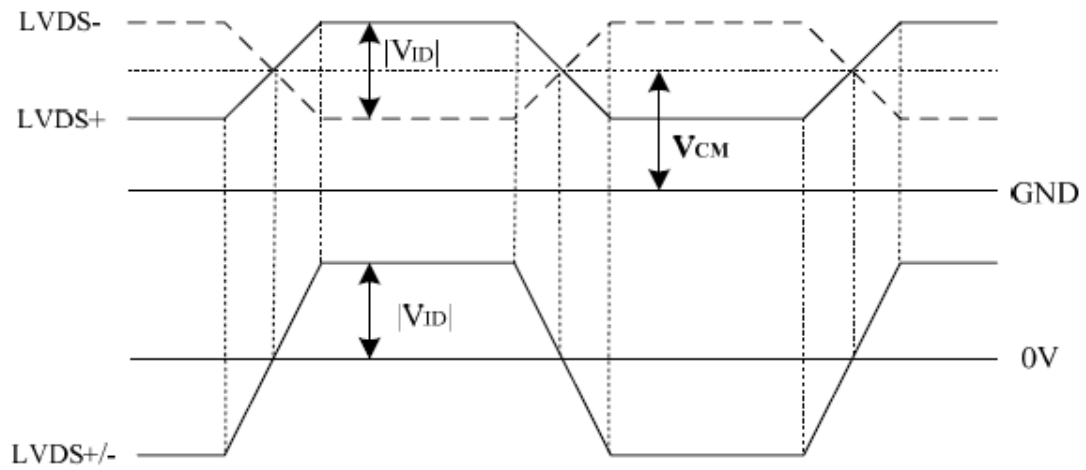
### 6.2.1 Signal Electrical Characteristics For LVDS Receiver

**Table 7 LVDS Receiver Electrical Characteristics**

Parameter	Symbol	Min.	Typ.	Max.	Unit	Conditions
Differential Input High	V <sub>th</sub>	-	-	+100	mV	V <sub>CM</sub> =+1.2V
Differential Input Low	V <sub>tl</sub>	-100	-	-	mV	V <sub>CM</sub> =+1.2V
Magnitude Differential Input	V <sub>D</sub>	200	-	400	mV	-
Common Mode Voltage	V <sub>CM</sub>	0.3+(V <sub>ID</sub> /2)	-	VDD-1.2-(V <sub>ID</sub> /2)	V	-
Common Mode Voltage	ΔV <sub>CM</sub>	-	-	50	mV	V <sub>CM</sub> =+1.2V

Note (1) Input signals shall be low or Hi-Z state when VDD is off.

(2) All electrical characteristics for LVDS signal are defined and shall be measured at the interface connector of LCD.



## 7. Interface Timings

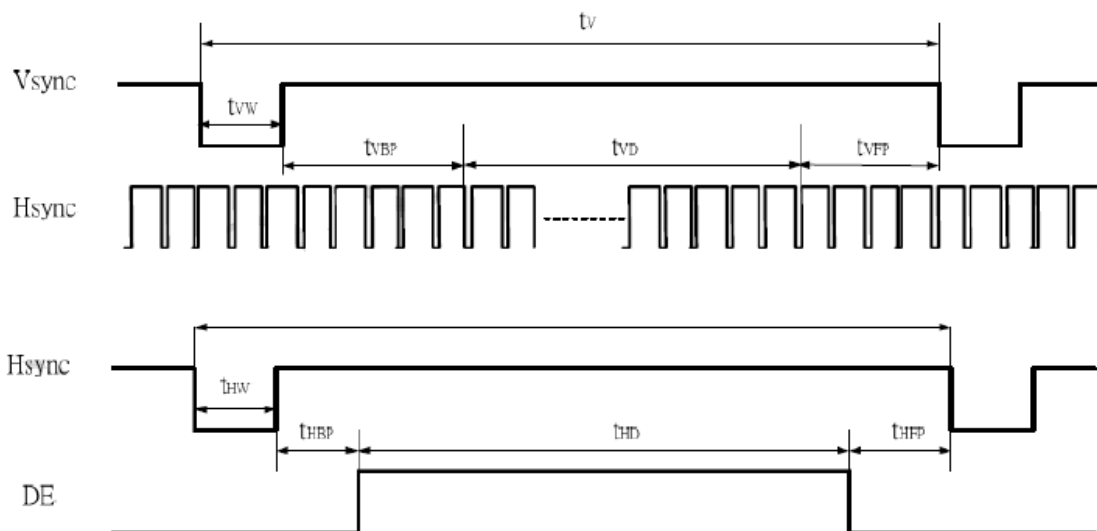
### 7.1 Timing Characteristics

Parameter	Symbol	Min.	Typ.	Max.	Unit
LVDS Clock Frequency	Fclk	(70.0)	(72.4)	(76.6)	MHz
H Total Time	HT	(1,410)	(1,440)	(1,470)	Clocks
H Active Time	HA	1,280			Clocks
V Total Time	VT	(828)	(838)	(868)	Lines
V Active Time	VA	800			Lines
Frame Rate	FV	-	(60)	-	Hz

Note1:  $HT * VT * \text{Frame Frequency} \leq (76.6) \text{ MHz}$

Note2: All reliabilities are specified for timing specification based on refresh rate of 60Hz.

### 7.2 Timing Diagram of Interface Signal (DE mode)



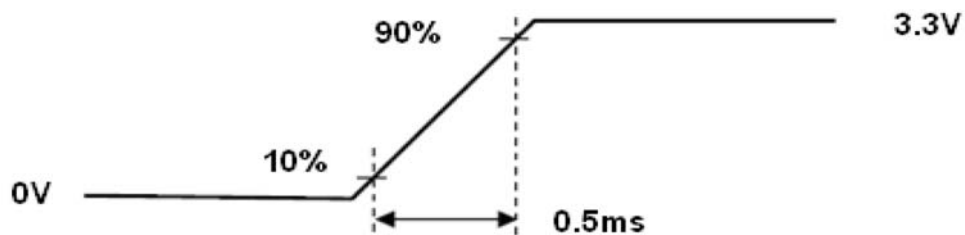


## 8. Power Consumption

Input power specifications are as follows.

Item	Symbol	Min.	Typ.	Max.	Unit	Note
LCD Drive Voltage	VDD	3.0	3.3	3.6	V	(3)
VDD Current	White Pattern IDD	--	0.295	--	A	(2),(3)
VDD Power Consumption	White Pattern PDD	--	--	1.2	W	(2),(3)
LED Power Consumption	PLED			2.5	W	(2),(3)
Rush Current	Irush			1.5	A	(1),(3),(4)
Allowable Logic/LCD Drive Ripple Voltage	VDDrp			300	mV	(3)

Note (1) Measure Condition

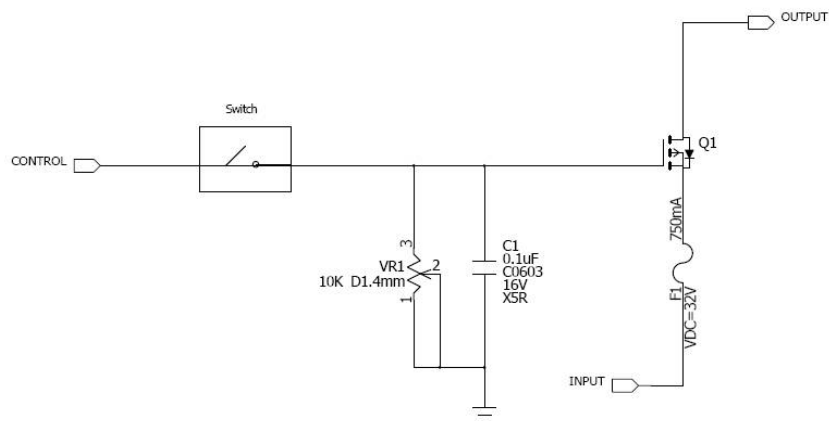


### VDD rising time

Note (2) Frame Rate=60Hz, VDD=3.3V, DC Current.

Note (3) Operating temperature 25°C , humidity 55%RH.

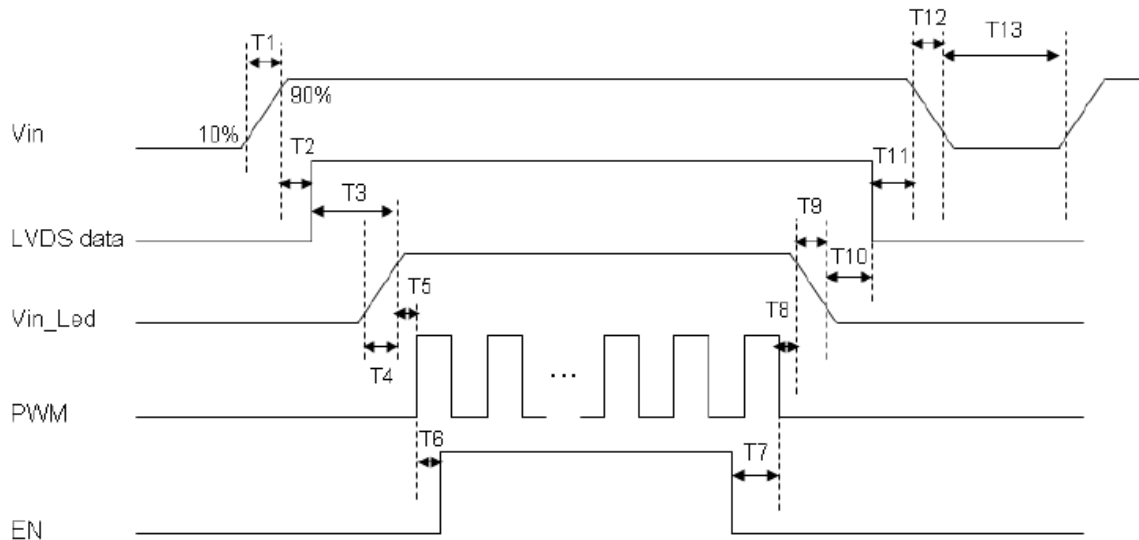
Note (4) Reference measurement circuit of rush current is shown below.



## 9. Power ON/OFF Sequence

Power on/off sequence is as follows. Interface signals are also shown in the chart. Signals from any system shall be Hi-Z state or low level when VDD is off.

**Figure 11 Power Sequence**



**Table 9 Power Sequencing Requirements**

Parameter	Symbol	Unit	Min	Typ.	Max
VIN Rise Time	T1	ms	0.5	--	10
VIN Good to Signal Valid	T2	ms	30	--	90
Signal Valid to Backlight On	T3	ms	200	--	--
Backlight Power On Time	T4	ms	0.5	--	--
Backlight VDD Good to System PWM On	T5	ms	10	--	--
System PWM ON to Backlight Enable ON	T6	ms	10	--	--
Backlight Enable Off to System PWM Off	T7	ms	0	--	--
System PWM Off to B/L Power Disable	T8	ms	10	--	--
Backlight Power Off Time	T9	ms	--	10	30
Backlight Off to Signal Disable	T10	ms	200	--	--
Signal Disable to Power Down	T11	ms	0	--	50
VIN Fall Time	T12	ms	--	10	30
Power Off	T13	ms	500	--	--

## 10. Projected Capacitive-type Touch Panel Specification

### 10.1 Basic Characteristic

Item	Specification
Type	Projective Capacitive Touch Panel
Activation	Multi-fingers or Single-finger
X/Y Position Reporting	Absolute Position
Touch Force	No contact pressure required
Calibration	No need for calibration
Report Rate	Approx. 80 points/sec
Control IC	EETI EXC3146

### 10.2 Electrical Absolute Max Rating

Item	Symbol	Value		Unit	Note
		Min.	Max.		
Power supply voltage	VIN	-0.3	5.5	V	GND=0V

### 10.3 Electrical Characteristics

Specify the normal operating condition  
(GND=0V)

Item	Symbol	Min.	Typ.	Max.	Unit	Note
Power supply voltage	VIN	4.75	5	5.25	V	

### 10.4 Interface

Pin No.	Symbol	Function
1	PVDD	Power supply.
2	DA-	USB Data-.
3	DA+	USB Data+.
4	NC	Please keep this pin NC.
5	PGND	Ground.

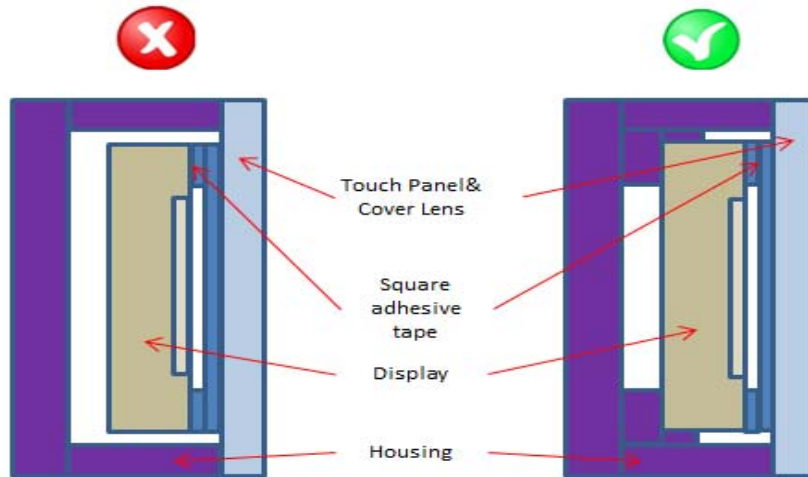
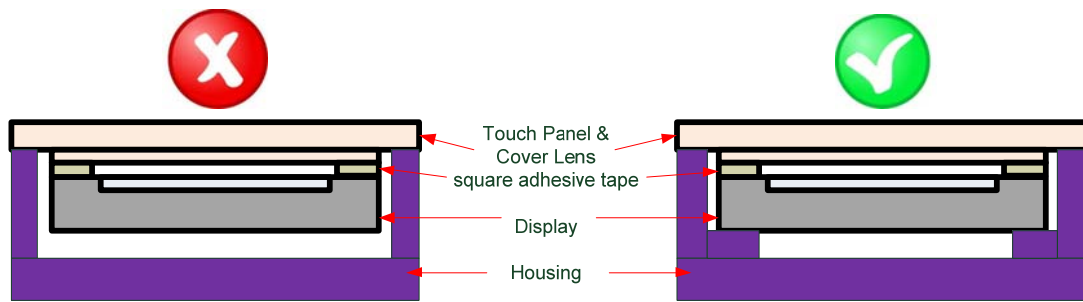
## **11. Use Precautions**

### **11.1 Handling precautions**

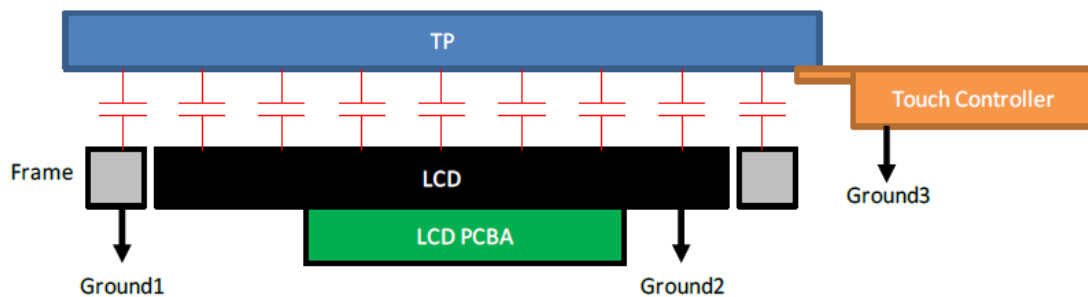
- 1) The polarizing plate may break easily so be careful when handling it. Do not touch, press or rub it with a hard-material tool like tweezers.
- 2) Do not touch the polarizing plate surface with bare hands so as not to make it dirty. If the surface or other related part of the polarizing plate is dirty, soak a soft cotton cloth or chamois leather in benzine and wipe off with it. Do not use chemical liquids such as acetone, toluene and isopropyl alcohol. Failure to do so may bring chemical reaction phenomena and deteriorations.
- 3) Remove any spit or water immediately. If it is left for hours, the suffered part may deform or decolorize.
- 4) If the LCD element breaks and any LC stuff leaks, do not suck or lick it. Also if LC stuff is stuck on your skin or clothing, wash thoroughly with soap and water immediately.

### **11.2 Installing precautions**

- (1) The PCB has many ICs that may be damaged easily by static electricity. To prevent breaking by static electricity from the human body and clothing, earth the human body properly using the high resistance and discharge static electricity during the operation. In this case, however, the resistance value should be approx.  $1M\Omega$  and the resistance should be placed near the human body rather than the ground surface. When the indoor space is dry, static electricity may occur easily so be careful. We recommend the indoor space should be kept with humidity of 60% or more. When a soldering iron or other similar tool is used for assembly, be sure to earth it.
- (2) When installing the module and ICs, do not bend or twist them. Failure to do so may crack LC element and cause circuit failure.
- (3) To protect LC element, especially polarizing plate, use a transparent protective plate (e.g., acrylic plate, glass etc) for the product case.
- (4) Do not use an adhesive like a both-side adhesive tape to make LCD surface (polarizing plate) and product case stick together. Failure to do so may cause the polarizing plate to peel off.
- (5) Please hold the LCD module properly when you use or store it.
- (6) The square adhesive tape which is between the touch panel and display can't provide well supporting in the long term and high ambient temperature condition. Whether upright or horizontal position the support holder which is in the back side of the display is needed. Do not let the display floating.



(7) TP needs to work in environment with stable stray capacitance. In order to minimize the variation in stray capacitance, all conductive mechanical parts must not be floating. Intermittent floating any conductive part around the touch sensor may cause significant stray capacitance change and abnormal touch function. It is recommended to keep all conductive parts having same electrical potential as the GND of the touch controller module.



GND1, GND2 and GND3 should be connected together to have the same ground

### **11.3 Storage precautions**

- (1) Avoid a high temperature and humidity area. Keep the temperature between 0°C and 35°C and also the humidity under 60%.
- (2) Choose the dark spaces where the product is not exposed to direct sunlight or fluorescent light.
- (3) Store the products as they are put in the boxes provided from us or in the same conditions as we recommend.

### **11.4 Operating precautions**

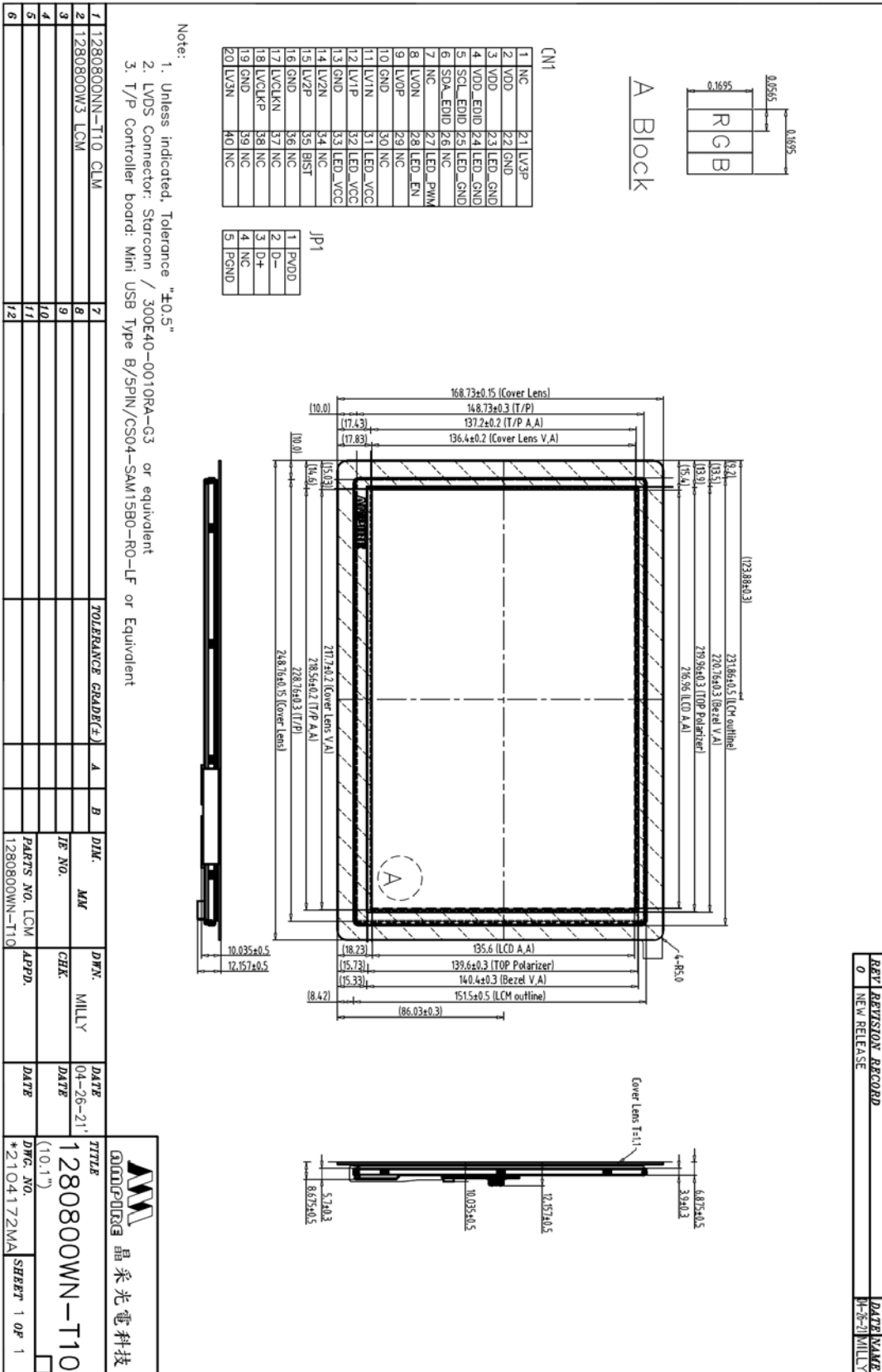
- (1) Do not boost the applied drive voltage abnormally. Failure to do so may break ICs. When applying power voltage, check the electrical features beforehand and be careful. Always turn off the power to the LC module controller before removing or inserting the LC module input connector. If the input connector is removed or inserted while the power is turned on, the LC module internal circuit may break.
- (2) The display response may be late if the operating temperature is under the normal standard, and the display may be out of order if it is above the normal standard. But this is not a failure; this will be restored if it is within the normal standard.
- (3) The LCD contrast varies depending on the visual angle, ambient temperature, power voltage etc. Obtain the optimum contrast by adjusting the LC drive voltage.
- (4) When carrying out the test, do not take the module out of the low-temperature space suddenly. Failure to do so will cause the module condensing, leading to malfunctions.
- (5) Make certain that each signal noise level is within the standard (L level: 0.2V<sub>dd</sub> or less and H level: 0.8V<sub>dd</sub> or more) even if the module has functioned properly. If it is beyond the standard, the module may often malfunction. In addition, always connect the module when making noise level measurements.
- (6) The CMOS ICs are incorporated in the module and the pull-up and pull-down function is not adopted for the input so avoid putting the input signal open while the power is ON.
- (7) The characteristic of the semiconductor element changes when it is exposed to light emissions, therefore ICs on the LCD may malfunction if they receive light emissions. To prevent these malfunctions, design and assemble ICs so that they are shielded from light emissions.

(8) Crosstalk occurs because of characteristics of the LCD. In general, crosstalk occurs when the regularized display is maintained. Also, crosstalk is affected by the LC drive voltage. Design the contents of the display, considering crosstalk.

### **11.5 Other**

- 1) Do not disassemble or take the LC module into pieces. The LC modules once disassembled or taken into pieces are not the guarantee articles.
- 2) Do not keep the LCD at the same display pattern continually. The residual image will happen and it will damage the LCD. Please use screen saver.
- 3) AMIPRE will provide one year warrantee for all products and three months warrantee for all repairing products.

# 12. Mechanical Drawing







**13. Package**  
**TBD**